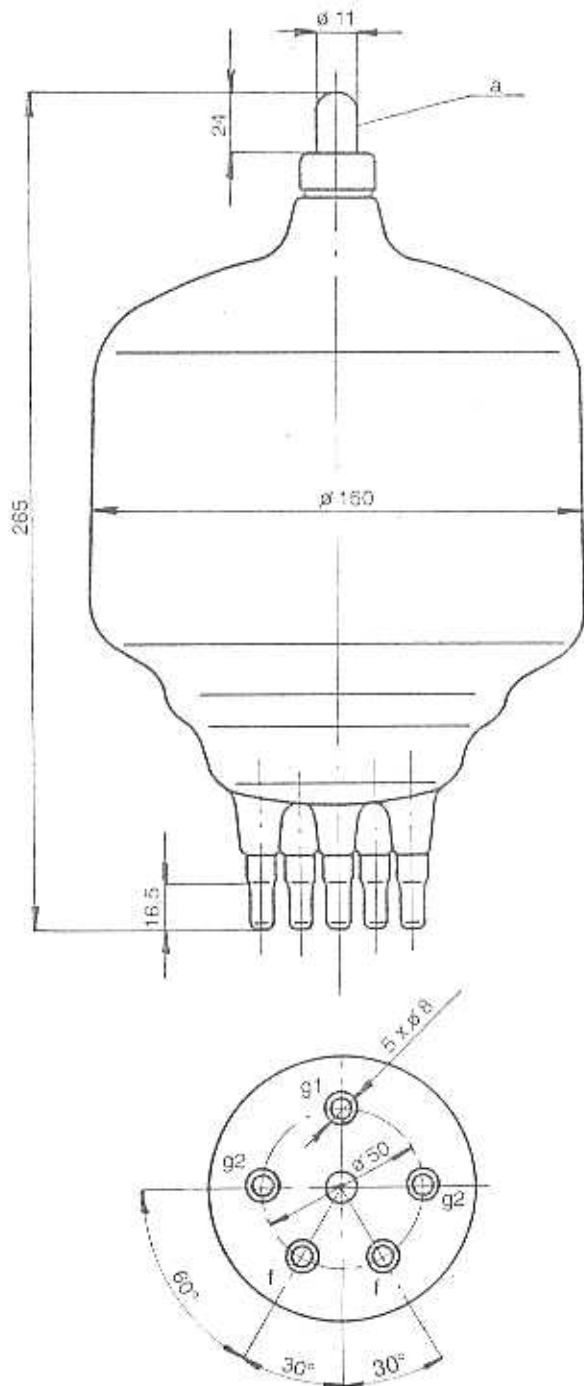




TESLA - ECIMEX a. s.



The ZD 1000 F is a radiation-cooled power triode with glass envelope for frequencies up to 60 MHz.

The maximum anode dissipation rating is 1 kW.

The ZD 1000 F is intended for use as a modulator, A. F. or R. F. power amplifier or voltage stabilizer.

ZD 10000 F

ZD 1000 F

HEATING DATA

Filament voltage	V_f	7,5	V ¹⁾
Filament current	I_f	34	A
Cathode	thoriated tungsten, direct heating		

1) Filament voltage for the guaranteed emission is marked on the bulb.

For allowed tolerances and other limitations see the General part of the catalogue.

MAXIMUM RATINGS

Anode voltage	V_a	4	kV
Anode peak current	I_{ap}	3	A
Anode dissipation	W_a	1	kW
Grid dissipation	W_g	25	W
Operating frequency	f	60	MHz

GENERAL DATA

Electrical

Interelectrode capacitances	C_{kg}	38,5	pF
	C_{ag}	17	pF
	$C_{a/k}$	2,6	pF
Transconductance (at $V_a = 1,5$ kV, $I_a = 0,5$ A)	S	min. 15	mA/V
Amplification factor (at $V_a = 1,5$ kV, $I_a = 0,5$ A)	μ	12	
Emission current (at $V_a = V_{g1} = 1000$ V)	I_e	8	A

Mechanical

Mounting position	vertical		
Weight	approx.	0,75	kg

Cooling

	radiation / low velocity air flow		
Ambient temperature		-15 to +45	°C
Air flow		2	m ³ /min
Maximum temperature of envelope		170	°C
of electrode terminals		180	°C

The anode terminal must be provided with a heat dissipating connector, when the anode dissipation exceeds 500 W.

It is necessary to operate the tube inside a glass air chimney which concentrates the air flow.

For other limitations see the General part.

CONSTANT CURRENT CHARACTERISTICS

