

Svetlana SK300A Air System Socket

The Svetlana™ SK300A Air System Socket is recommended for use with the Svetlana tube types listed below. The SK300A is designed for frequencies up to 30MHz. When this socket is used, connection is made to each of the tube electrodes except the anode, by means of concentric rings of spring-finger contacts. The SK300A requires significantly less blower horsepower and reduced pressure drop than the older SK300 socket. The Svetlana SK300A is an exact replacement part for the SK300A sockets manufactured in the West.



Base Connection

The base connections consist of four concentric rings of spring-finger contacts. The socket is provided with two filament connectors with a 1/4" diameter hole in each connector for making connection to the inner and outer filament contacts. One 6-32 terminal is provided for DC connection to the screen-grid. RF connection to the screen-grid may be made directly to the collet. The SK300A has four 8-32 terminals for connection to the control-grid.

Maximum Working Voltage

Screen Grid	3000 Vdc
Control Grid	3000 Vdc

Installation

The SK300A socket is fastened in place by eight 6-32 machine screws through eight mounting holes provided. The SK300A is recommended for use with the following Svetlana tube types and additional types manufactured in the West.

Svetlana Tube Types

4CX5000A/8170

4CX5000R/8170W

4CX10,000D/8171

4CX15,000A/8281

4CX15,000J/8910

YC108A

YC130/9019

Net Weight

SK300A socket	3 lbs. (1.36 kg)
---------------	------------------

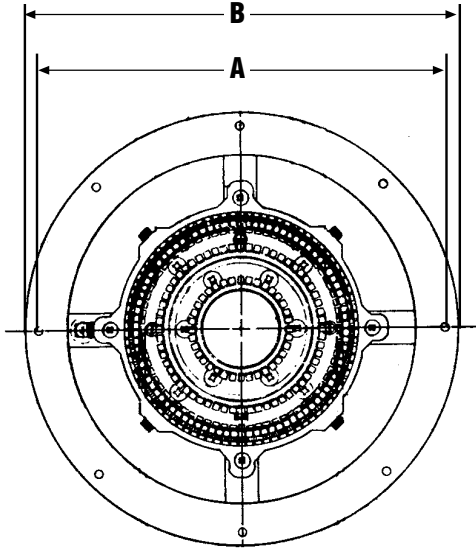


Headquarters:
8200 South Memorial Parkway
Huntsville, AL 35802
USA
Phone: 205 882 1344
Fax: 205 880 8077
Toll Free: 1 800 239 6900
1/96

Marketing & Engineering:
3000 Alpine Road
Portola Valley, CA 94028
USA
Phone: 415 233 0429
Fax: 415 233 0439
Toll Free: 1 800-5-SVETLANA
(1-800-578-3852)

Svetlana SK300A Air System Socket

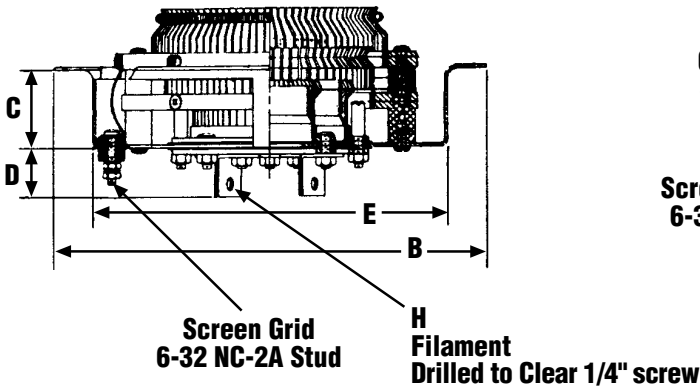
Svetlana SK300A Outline Top View



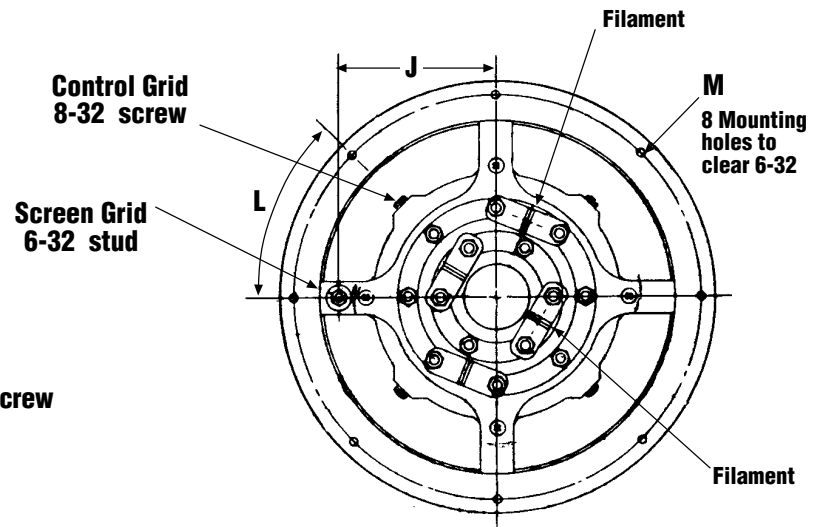
Dimensional Data						
Dim.	Millimeters			Inches		
	Min.	Max.	Ref.	Min.	Max.	Ref.
A	196.34	197.36		7.73	7.70	
B	208.79	209.96		8.220	8.266	
C	36.68	38.86		1.444	1.530	
D	22.53	24.46		0.887	0.963	
E	170.69	172.34		6.720	6.785	
H	5.97	6.73		0.235	0.265	
J	76.20	76.96		3.000	3.030	
L			45°			45°
M	3.56	3.91		0.140	0.154	

- Notes:
1. Ref dimensions are for info only.
 2. (*) Contact surfaces.

Svetlana SK300A Outline Side View



Svetlana SK300A Outline Bottom View



Headquarters:
8200 South Memorial Parkway
Huntsville, AL 35802
USA
Phone: 205 882 1344
Fax: 205 880 8077
Toll Free: 1 800 239 6900

Marketing & Engineering:
3000 Alpine Road
Portola Valley, CA 94028
USA
Phone: 415 233 0429
Fax: 415 233 0439
Toll Free: 1 800-5-SVETLANA
(1-800-578-3852)